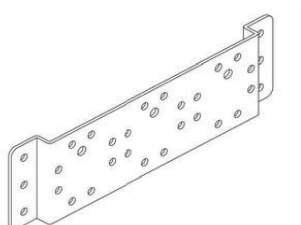


**PREMIUM Full Tilt Wall Mount (Micros Ws5, Ws4LX, Ws4, KBWs4)**

Only Part 1 & 2 required for Ws5\*. All 3 Parts required for Ws4LX, Ws4, and KBWs4\*\*.

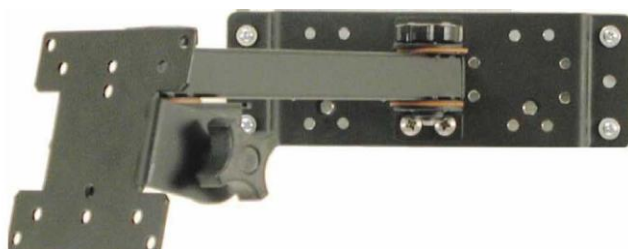
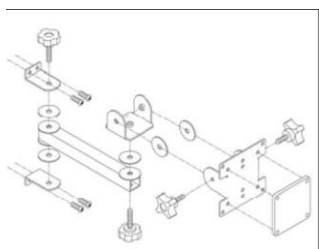
**Adjustable Extension Arm & Tilt bracket and Wall mount plate:** Mounts a VESA compatible unit on a wall. Each part ordered separately. The Part 3 VESA Bracket is only required for Ws4LX, Ws4, and KBWs4 to make VESA compatible (not Ws5).

**PART 1:** Wall mount plate (600526-037) for arm, attaches to wall, \$75



**PART 2:** Adjustable 9" Extension Arm with VESA head tilt plate (600526-036) that attaches to Part 1 Wall plate (both parts shown in graphic below, right), to accommodate a VESA compatible monitor, \$ 190 (Ws5 is VESA compatible).

To make Ws4LX, Ws4, and KBWs4 VESA compatible also requires Part 3.



**PART 3:** VESA Bracket to make Ws4LX, Ws4, and KBWs4 (not Ws5) VESA compatible (400630-101) \$ 45 Part 3 is shown here:



**\*Parts1&2 = \$265 (Ws5). \*\*Parts 1,2,3 = \$310 (Ws4LX, Ws4, KBWs4)**

**See next pages for LOWER COST ALTERNATIVES  
and options for CONCESSION STANDS**

**\*PRICING SUBJECT TO CHANGE WITHOUT NOTICE**

### **Lower Cost Alternative WALL bracket, with Articulating Arm: Ws5**

VESA wall mount articulating arm bracket for Ws5 (400830-100) includes adjustment for inward and outward positioning. Scratch resistant fused epoxy in Black, \$ 95. Customer installed and wall mount hardware required. NOT SHOWN: Thermal Printer Wall mount bracket (400491-411) \$ 67.



### **Lower Cost Alternative WALL bracket, Limited Adjustment: Ws4, KBWs4**

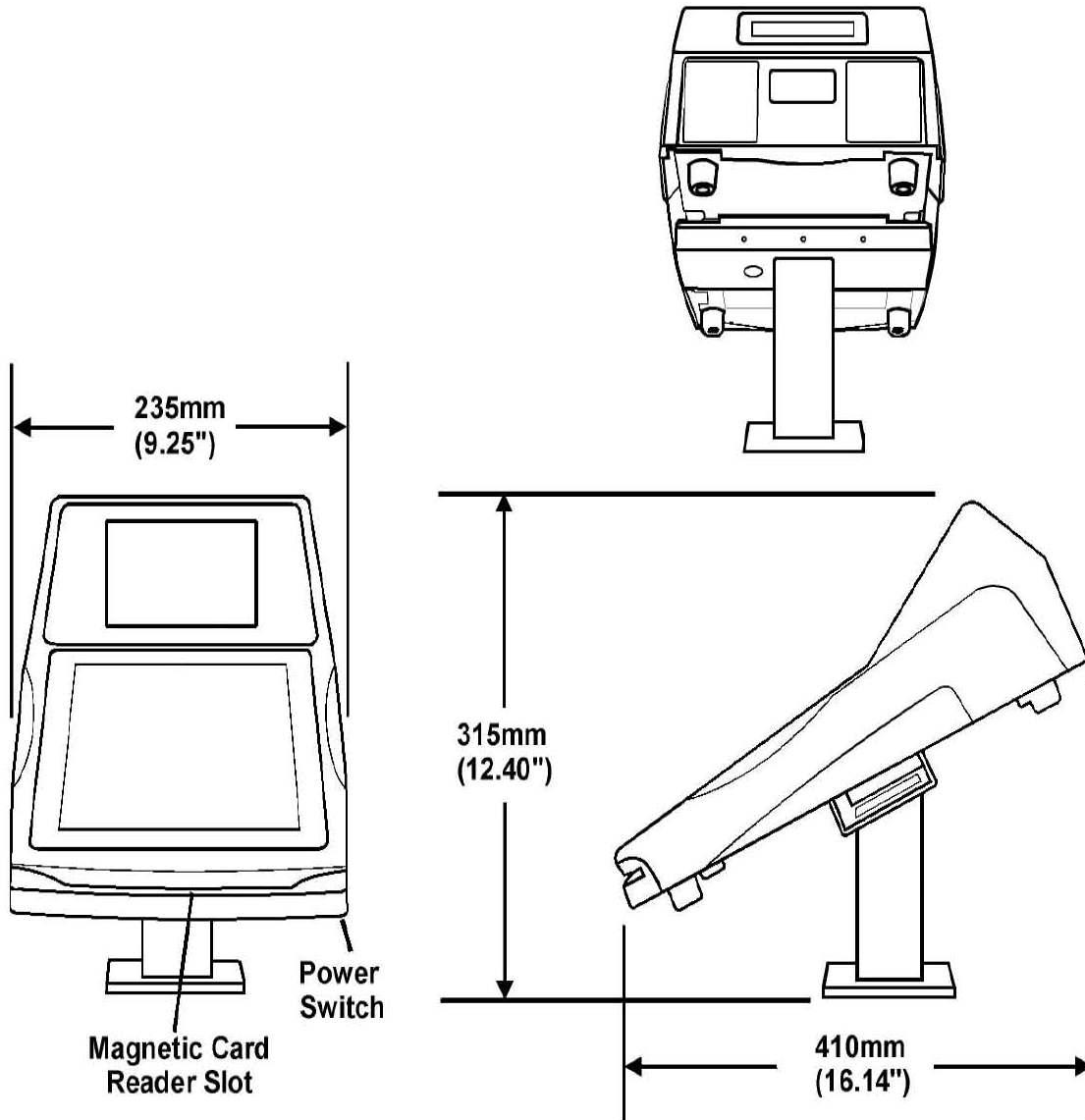
NON-VESA wall mount bracket for Ws4LX, Ws4 or KBWs4 (500630-001) includes adjustment outward and down, from the top. Steel in black, \$ 55. Customer installed and wall mount hardware required. NOT SHOWN: Thermal Printer Wall mount bracket (400491-411) \$ 67.

---



## Concession Pole Stand (KW270 only )

The Concession Pole Stand (400925-001) for Keyboard Workstation 270 (KW270) is an excellent, low cost means of raising the workstation off the counter to increase space. Cables run cleanly through the center of the non-adjustable stand pole, protected and out of sight. Customer installed and mounting hardware required. \$60.

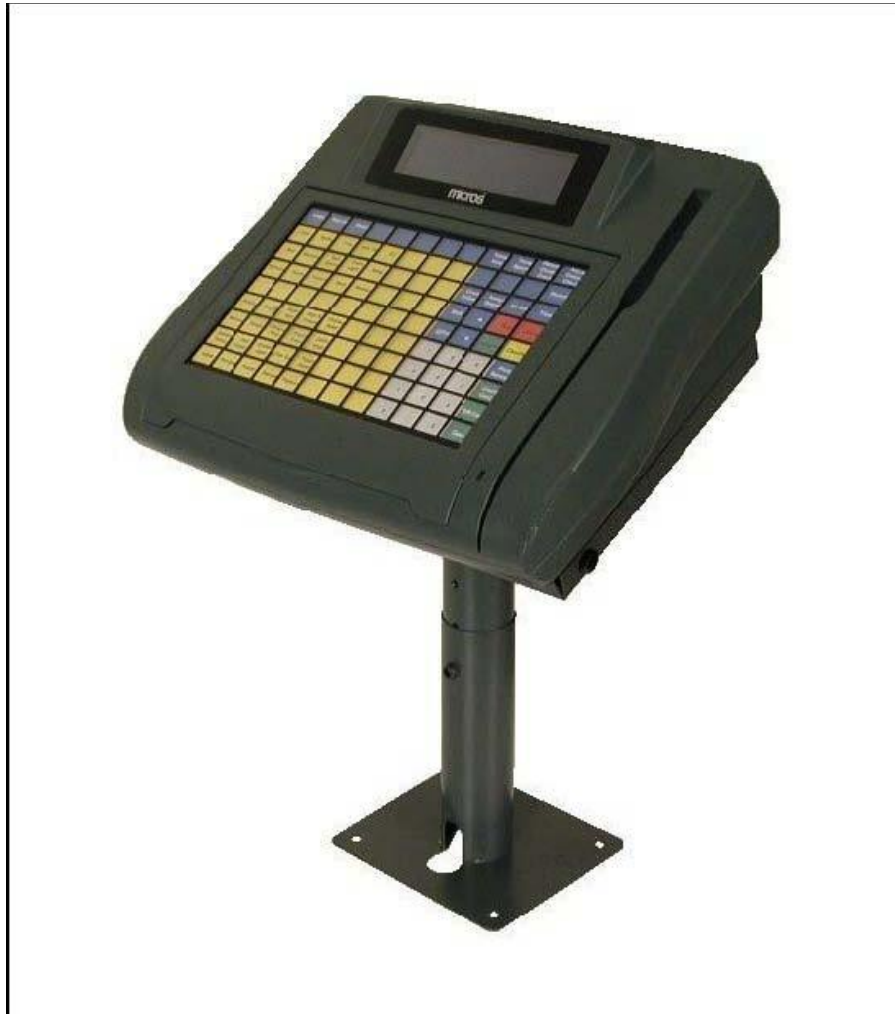


**\*PRICING SUBJECT TO CHANGE WITHOUT NOTICE**

## **Concession Stand Pole Kit (Kit includes VESA bracket for Ws4)**

Pole Kit combines the VESA bracket with a height adjustable base pole assembly, \$100. The Concession Stand Pole kit (400625-101) for Ws4LX, Ws4, and KBWs4 is an excellent, low cost means of raising a NON-VESA compatible MICROS workstation off the counter to increase space. Four adjustment points allow the height of the workstation to range between 16.5" and 20.5" (counter to top edge of the workstation). Cables run cleanly through the center of the stand pole, protected and out of sight. An opening at the base allows routing the cables for a printer, pole display and other peripherals to the workstation. Customer installation and counter mount hardware is required.

NOT SHOWN: An adjustable, articulating VESA Mounting Arm, available for surface or wall installations (400630-201) of Ws5, \$175. For Ws4LX, Ws4, and KBWs4, add the required VESA bracket (400630-101) \$45, total \$ 220.



**\*PRICING SUBJECT TO CHANGE WITHOUT NOTICE.**